

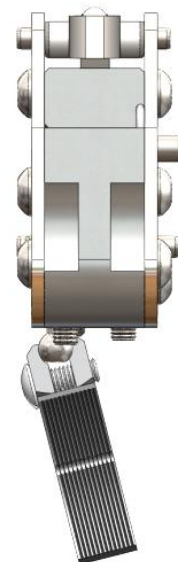
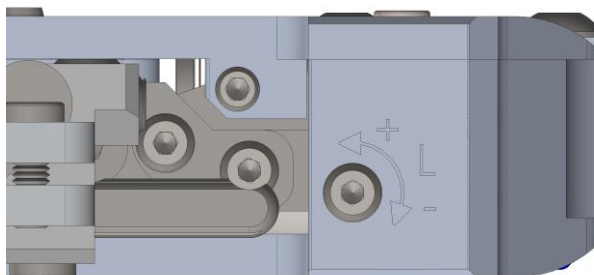
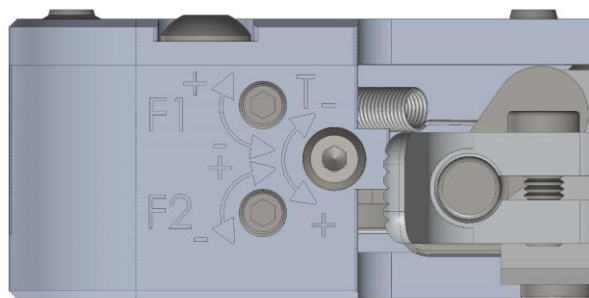
R3 *acer*

SMALL BORE RIFLE .22 l.r.



QUICK MANUAL

Trigger settings



Trigger settings (quick guide)

-General comments	Page 2
-Overview of the trigger assembly	Page 3
-Trigger pull	Page 4
-First stage pull	Page 4
-First stage travel	Page 4
-Second stage pull	Page 4
-Sear engagement	Page 5
-Adjusting the trigger shoe	Page 6

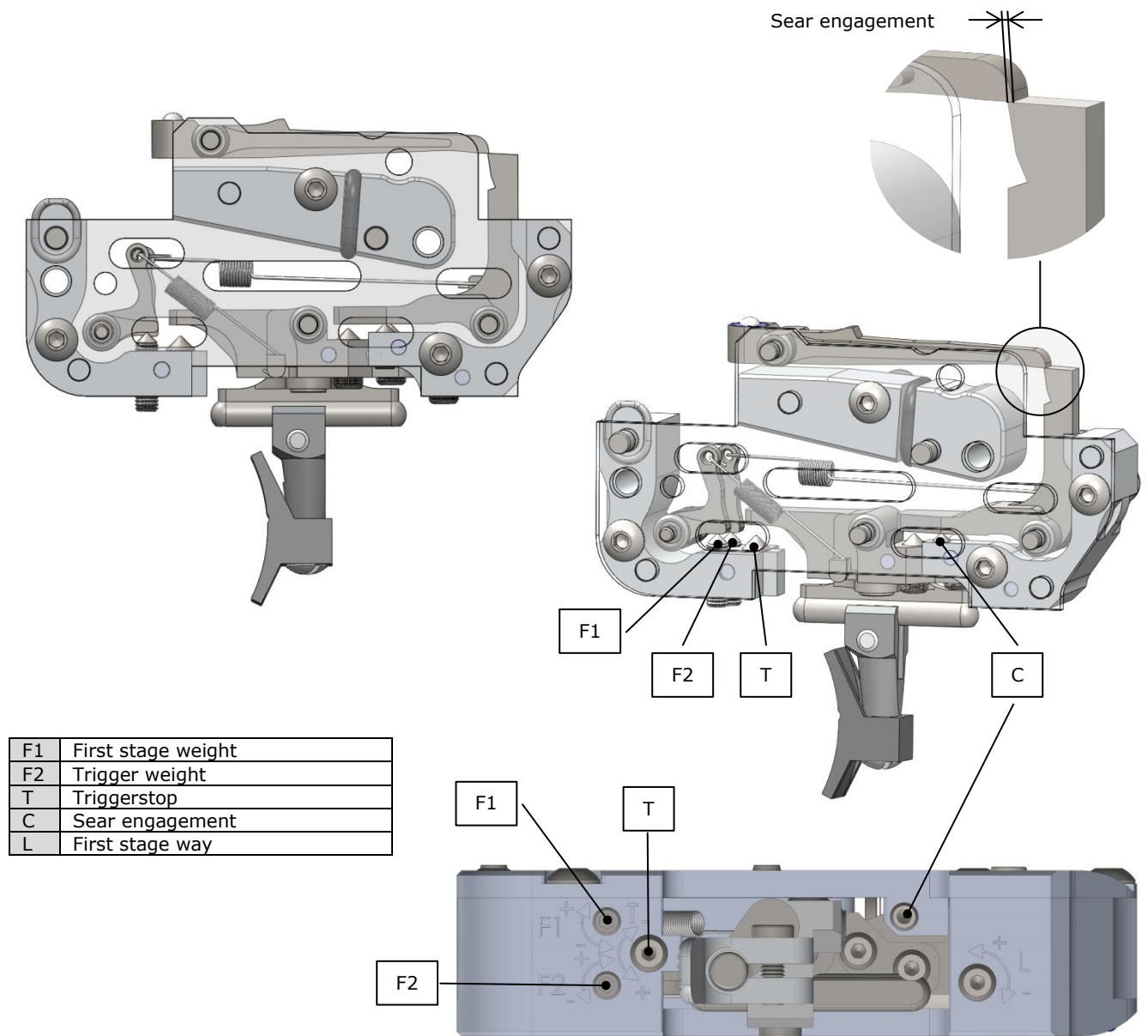
Dear Target Shooter

Congratulations on the acquisition of your new target rifle. Our rifles are used worldwide with great success. We are convinced that your decision was easy. Our products fulfill the highest engineering standards and are manufactured with the latest product technology.

Please carefully read the following before using your new rifle:

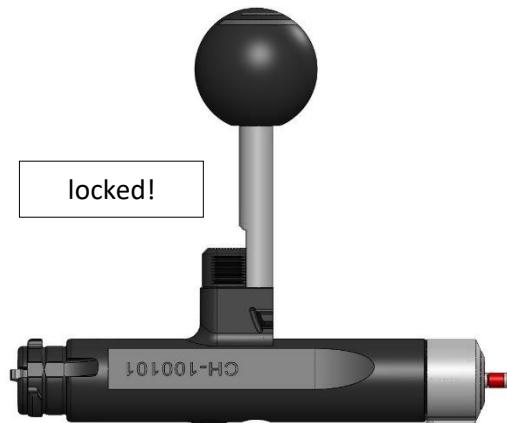
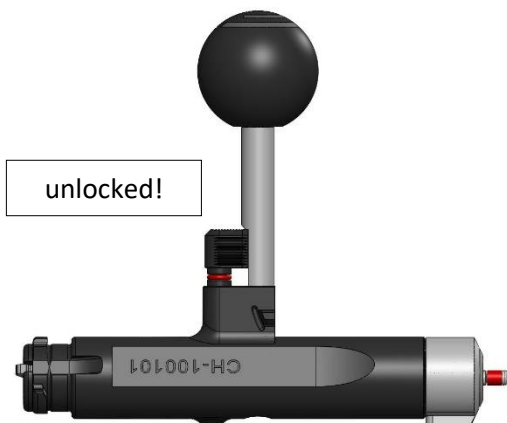
1. Always consider a rifle loaded until you personally checked that it is not. Make sure the action is open when you carry the rifle around so everybody can see that your rifle is unloaded.
2. Make sure the muzzle is always pointed downrange or in a safe direction!
3. Always make sure that you are using the correct ammunition for your rifle.
4. Before shooting always check to see that your barrel is not obstructed.
5. The safety lever must always be pushed all the way in either "safe" or „ready to fire" position (F)! Always keep your rifle on "safe" until you are ready to fire. Make sure there is nothing between the muzzle and the target before you release the safety lever. Always keep the finger off the trigger until you are ready to shoot.
6. Except for cleaning, your rifle should only be disassembled by an authorized gunsmith.
7. The life of your rifle and your barrel depends on proper care. Please carefully follow the instructions in your rifle's manual.
8. Target rifles should only be used by an experienced shooter or under the supervision of such an individual.

Overview of the trigger assembly



Watch out!

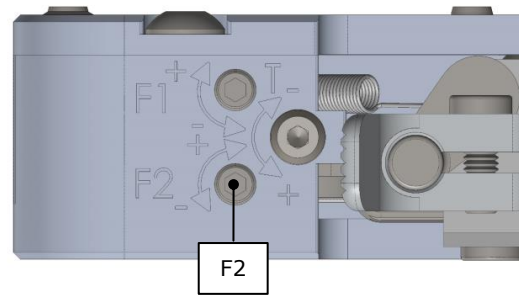
Always unload your rifle before making any adjustments. Carefully follow the safety instructions for your rifle. When you make any trigger adjustments make sure the safety is in the "safe" position (see picture below).



Adjusting the trigger weight:

The **trigger weight** can be adjusted with screw **F2**:

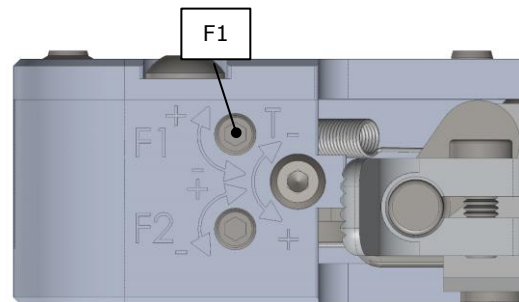
- turn right (clockwise):
trigger weight **increases (+)**
- turn left (counterclockwise):
trigger weight **decreases (-)**



Adjusting the first stage weight:

The first stage weight can be adjusted with screw **F1**:

- turn right (clockwise):
first stage weight **increases(+)**
- turn left (counterclockwise):
first stage weight **decreases (-)**

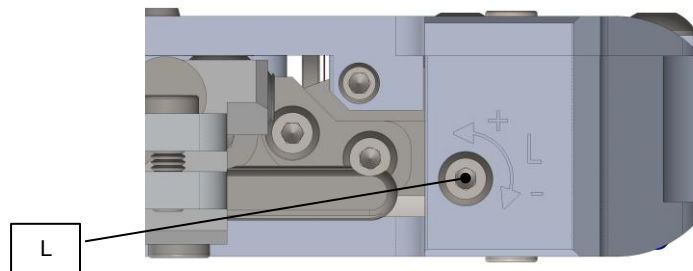


Any adjustment of the trigger pull will affect the first stage pull and vice versa because they are interdependent.

First stage way:

The first stage travel is the distance the trigger blade moves from the beginning to the trigger release. The first stage travel can be adjusted with screw **L**:

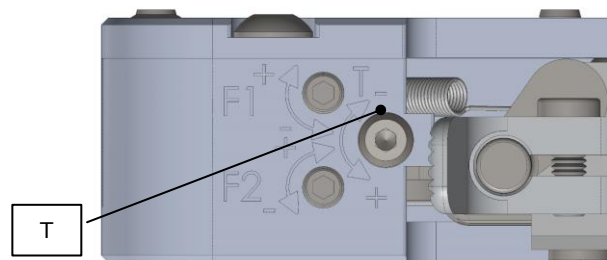
- turn right (clockwise):
first stage way shortens (-)
- turn left (counterclockwise):
first stage way extends (+)



Triggerstop:

The trigger stop can be adjusted with screw **T**:

- turn right (clockwise):
second stage way shortens (-)
- turn left (counterclockwise):
second stage way extends (+)

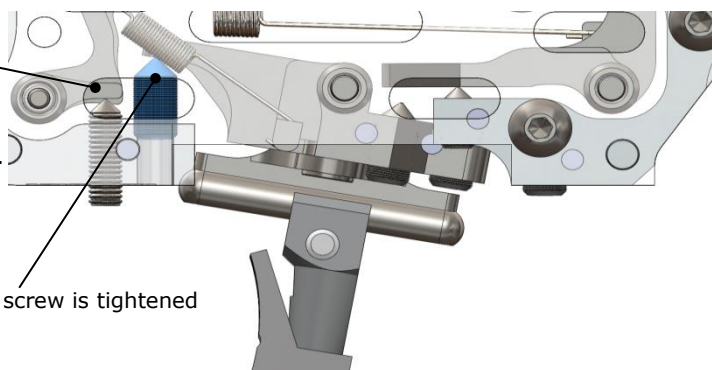


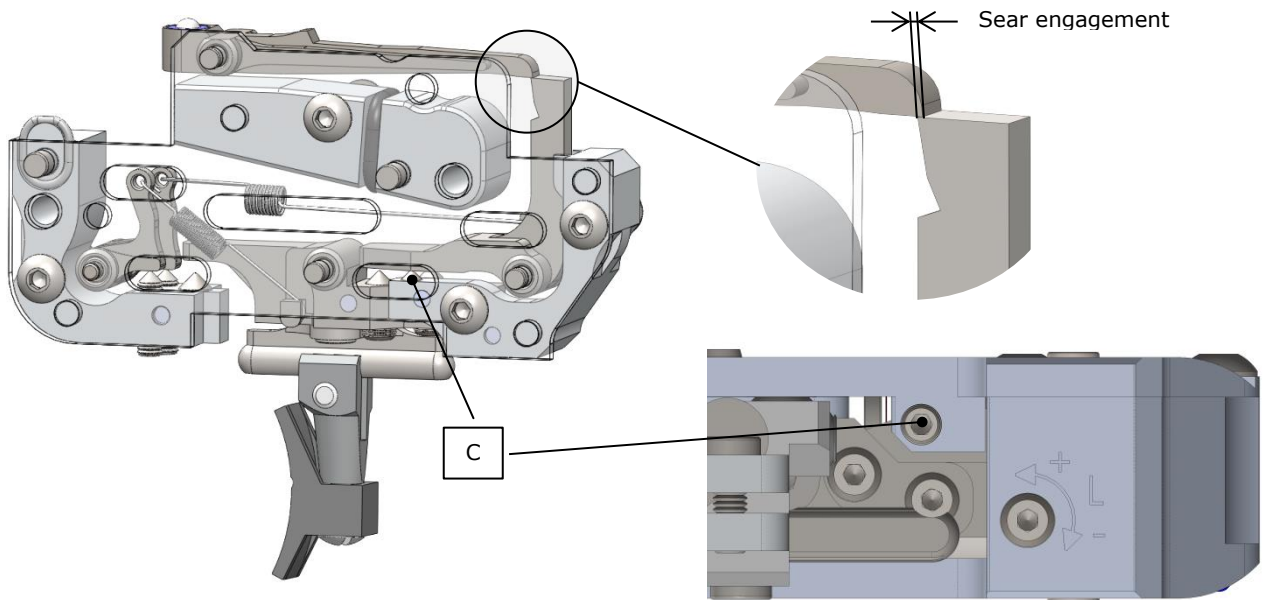
Watch out!

The trigger-stop screw **T** can be overtightened. In this case the trigger will not release!

Viewing window

Trigger-stop screw is tightened too much!





Sear engagement

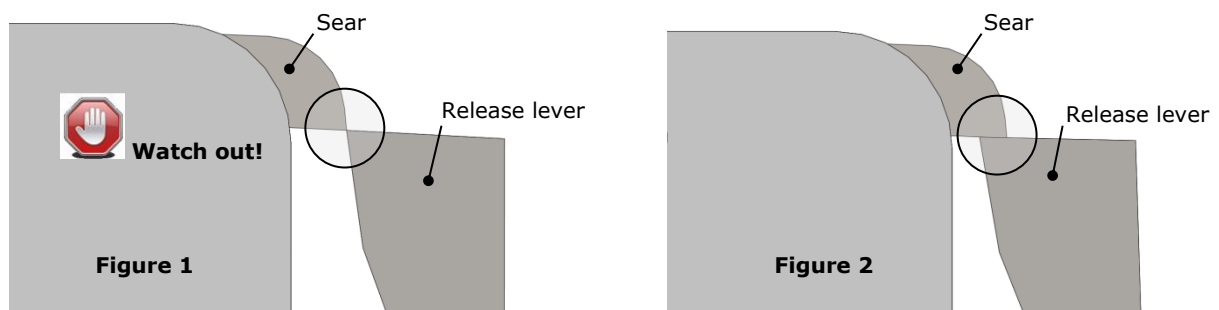
The sear engagement was Correctly adjusted when the rifle left the factory.

Adjusting the sear engagement requires a lot of experience. Always have your gunsmith make sear adjustments. If this adjustment is not done properly, you will experience malfunctions!

The pictures below show the sear engagement either too small (**Figure 1**) or too big (**Figure 2**).

Watch out!

If the overlap is too small, the trigger can be accidentally released by the slightest movement or vibration! Additionally, the lifespan of your trigger will be dramatically reduced.



When the overlap is too big (Figure 2), you will experience „creeping.“

The overlap can be adjusted with screw **C**:

- turn right (clockwise):
sear engagement decreases
- turn left (counterclockwise):
sear engagement increases

Important!

To prevent any damage to your precision trigger never close the action forcefully! If the sear engagement is too small or the first stage pull too short, it is possible that a shot could be accidentally released when closing the action or a hard blow strikes the rifle.

Safety Hint: After having made adjustments to your trigger, always test the proper function by using the dry fire mode.

Adjusting the trigger blade:

Loosen the locking screw. The trigger shoe can be pivoted sideways or moved back and forth. The asymmetrical trigger rail **5** can be flipped 180 degrees. This gives you an additional option for adjusting the trigger shoe sideways.

